

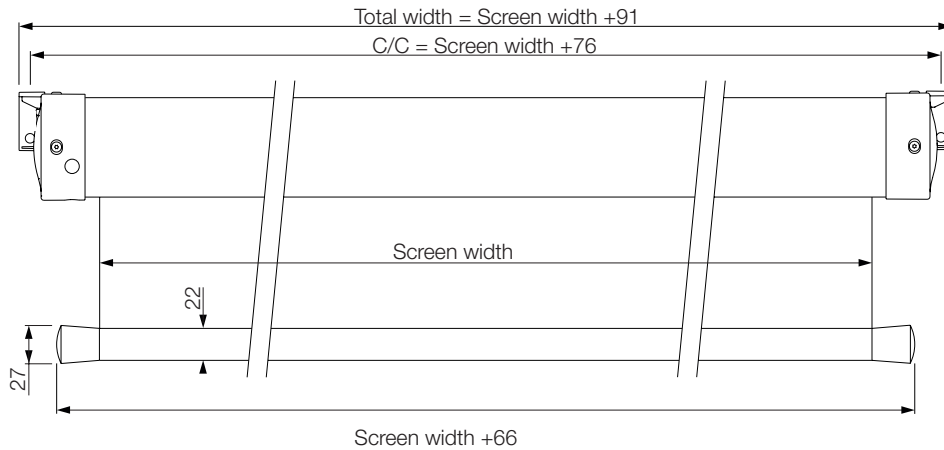
euroscreen®

# Connect Electric

The Connect electric projection screen is the longest established model within the Euroscreen® range. Its cassette has a square design with soft edges, and the white steel case is equipped with matching end caps which can be used for an easy mounting directly onto the wall or the ceiling. Bottom dowel very close wall. Optional wall brackets allow keystone correction.

## SCREEN DIMENSIONS

### SCREEN DIMENSIONS



### SCREEN SURFACES

**Arctiq**  
 Matt white front surface,  
 fibre glass support, black-  
 backed. Gain 1.0

### MOTOR CONTROL

INSTALLATION/WIRED  
 MOTOR  
 Accessories  
 • Control box (RS232,  
 RF, IR,  
 • 12V trigger,  
 • Dry contact transmitter )

### STANDARD FORMATS

H>W

Height>width, with extra height that gives additional flexibility. No black borders.

1:1

The screen format is 1:1. No black borders.

4:3  
NO BLACK BORDERS

The screen format is 4:3. No black borders.

4:3

The screen has 5 cm wide black borders. The format of the viewing area is 4:3.

16:9

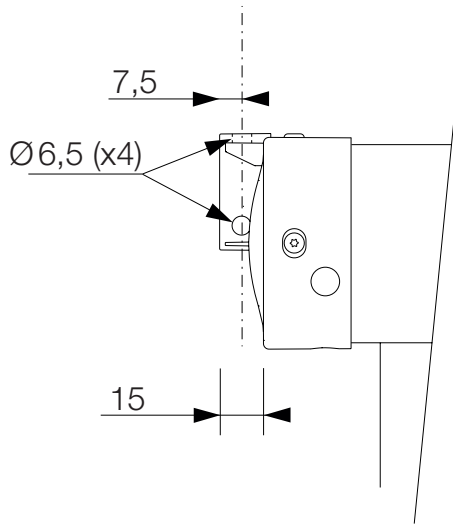
The screen has 5 cm wide black borders. The format of the viewing area is 16:9.

16:10

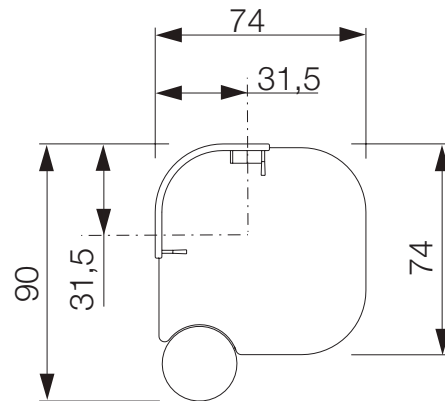
The screen has 5 cm wide black borders. The format of the viewing area is 16:10.

## CASE DIMENSIONS

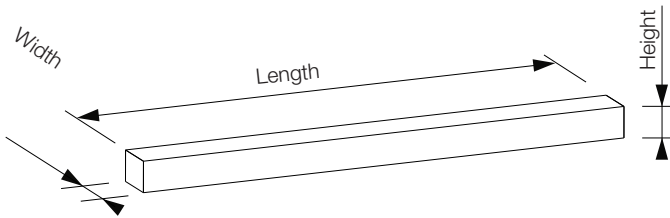
Front view



Side view



## PACKAGING DIMENSIONS



Screen width	Box length	Box width	Box height
1250	1520	125	130
1500	1770	125	130
1600	1870	125	130
1800	2070	125	130
2000	2270	125	130
2200	2450	125	130
2400	2670	125	130